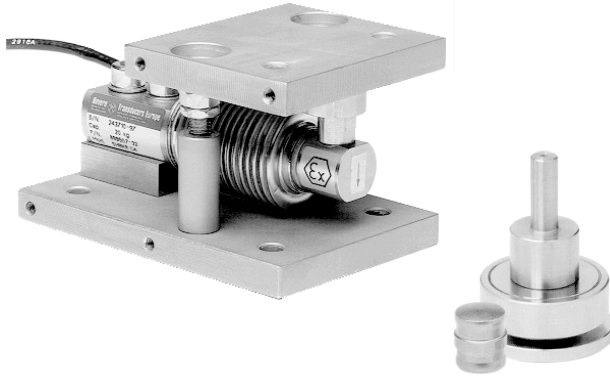


## SHBxR Self Aligning Accessories



### FEATURES

- Capacities: 5 - 500kg
- Hardened components at all load bearing surfaces
- Rocker pin load introduction
- Built in horizontal movement control and lift-off protection
- Load cell (re)placement after installation of the mount

### OPTIONAL FEATURES

- Stainless steel or Nickel plated steel versions available
- Optional stay rod assembly

### DESCRIPTION

The SHBxR self aligning silo mount, combined with the SHBxR load cell family, provides weighing assemblies suitable for process control, batch weighing, silo/hopper and belt scale applications.

The SHBxR foot assembly is an ideal solution for low and medium capacity platform scales.

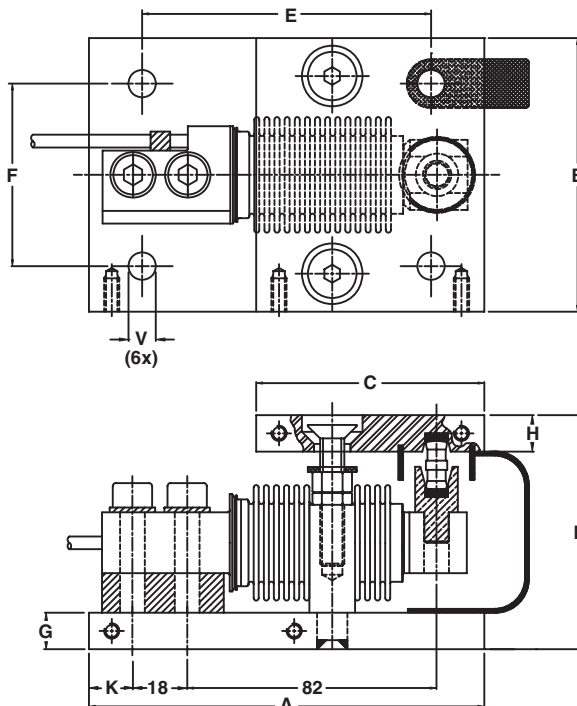
The SHBxR mount and foot are based on a rocker pin design, combining excellent load introduction to the transducer with an overall low profile.

Hardened components are used at all load bearing surfaces. The stainless steel construction guarantees long term reliability, even in the most harsh of environments.

### APPLICATIONS

- Process control
- Batch weighing
- Silo/hopper weighing
- Belt scale weighing

### OUTLINE DIMENSIONS in millimeters

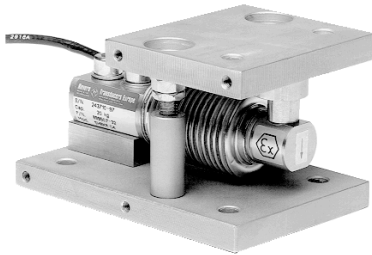


Capacity	5 - 200kg	350 - 500kg
A	130	160
B	90	120
C	75	100
D	77	90
E	95	100
F	60	80
G	12	15
K	14.5	33.8
H	12	20
V	Ø9	Ø14

## ACCESSORIES

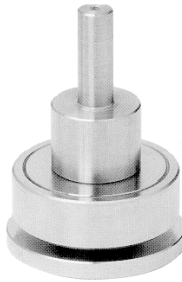
### Self Aligning Mount

The SHBxR mount permits controlled horizontal movement in all directions. The design allows the load cell to be (re)placed after installation of the mount. The critical load introduction area is mechanically protected.



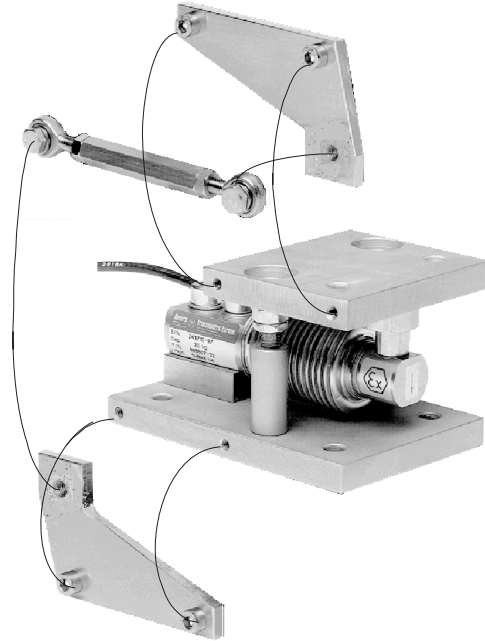
### Height Adjustable Foot

The stainless steel foot, which has 5mm of adjustment, provides excellent load introduction to the transducer. The foot allows flexibility in platform design without compromising overall system performance.



### Stay Rod Assembly

If major load movement is anticipated stay rods should be used to restrain a vessel or platform. The SHBxR stay rod assembly can be bolted to the mount prior to or after its installation.



FURTHER INFORMATION		Height, assembly + SHBxR (5 - 200kg)		Height, assembly + SHBxR (350 - 500kg)	
Self Aligning Mount	mm	77		90	
Height Adj. Foot	mm	65+5		-	
Mount / Foot	Assembly guidelines	Outline drawing (5 - 200kg)		Outline drawing (350 - 500kg)	
		Stainless steel	Nickel plated	Stainless steel	Nickel plated
Self Aligning Mount	AG 10/06-104/02	499048-10	499048-00	499095-10	499095-00
Stay Rod Assembly	AG 09/06-202/02 and AG 01/07-200/03	499061-10	499061-00	499068-10	499068-00
Height Adj. Foot	-	499070	-	-	-

## VISHAY TRANSDUCERS (VT) SALES OFFICES

**VT Americas**  
City of Industry, CA  
PH: +1-626-858-8899  
FAX: +1-626-332-3418  
vt.us@vishaymg.com

**VT Netherlands**  
Breda  
PH: +31-76-548-0700  
FAX: +31-76-541-2854  
vt.nl@vishaymg.com

**VMG UK**  
Basingstoke  
PH: +44-125-646-2131  
FAX: +44-125-647-1441  
vt.uk@vishaymg.com

**VMG Israel**  
Netanya  
PH: +972-9-863-8888  
FAX: +972-9-863-8800  
vt.il@vishaymg.com

**VMG Germany**  
Heilbronn  
PH: +49-7131-3901-260  
FAX: +49-7131-3901-2666  
vt.de@vishaymg.com

**VT China**  
Tianjin  
PH: +86-22-2835-3503  
FAX: +86-22-2835-7261  
vt.prc@vishaymg.com

**VMG France**  
Chartres  
PH: +33-2-37-33-31-20  
FAX: +33-2-37-33-31-29  
vt.fr@vishaymg.com

**VT Taiwan\***  
Taipei  
PH: +886-2-2696-0168  
FAX: +886-2-2696-4965  
vt.roc@vishaymg.com  
\*Asia except China